

NOTES:

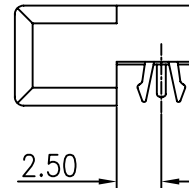
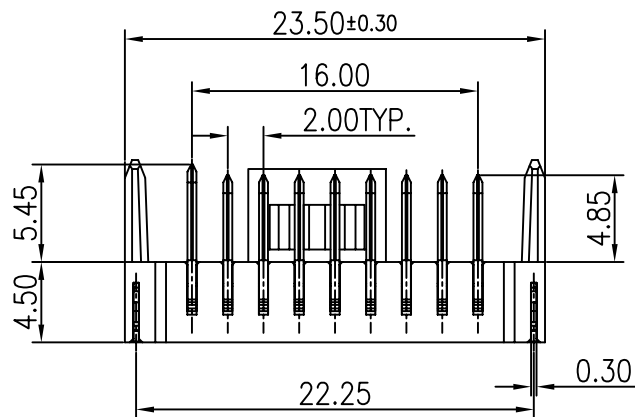
- MATERIAL:
 - HOUSING: THERMOPLASTIC, HIGH TEMP.,UL94V-0.
 - CONTACT: COPPER ALLOY.
 - HOOK: COPPER ALLOY.
- FINISH:
 - CONTACT:
 - GOLD FLASH OVERALL.
 - 50u" MIN. NICKEL UNDERPLATING OVERALL.
 - HOOK:
 - 50u" MIN. NICKEL UNDER PLATING OVER ALL
 - 120u" MIN. PURE TIN PLATING OVER ALL
- REFLOW SOLDER CAPABLE TO 260°C PER ACES SPEC.
- SPEC.PLS REFER TO PS-50975-XXXX-XXX
- PACKAGE PLS REFER TO 50975-XXXX-TRP
- PART NUMBER

50975-XXX X X-XXX

CKTS	XXX	Color
	001	Black

PACKING
 0:TAPE & REEL
 1:TUBE

PLATING
 1: G/F OVERALL (LEAD FREE)



一般公差 TOLERANCES X ±0.5 XX ±0.15 X ±0.25 XXX ±0.1 ANGLES ±2°		宏致電子股份有限公司 Aces Electronic Co.,Ltd.	
檢驗尺寸標示 SYMBOLS (M) (L) INDICATE CLASSIFICATION DIMENSION (M) MARK IS CRITICAL DIM. (L) MARK IS MAJOR DIM.	品名 (TITLE) 2.00mm Battery Conn. Male DIP R/A Type H=3.30 圖號 (DWG.NO) 50975-XXXXX-XXX	製圖 (DR) 11/04/15 審核 (CHKD) Sam 核准 (APPD) Jason	Brave Sam Jason
表面處理 (FINISH)	比例 (SCALE) 1:1	單位 (UNITS) mm	張數 (SHEET) 1 OF 1 尺寸 (SIZE) A4 版次 (REV) C